

IDV series Brushless Integrated motor trial sales summary

01 Product introduction

02 Trial sales application



IDV Series Model Naming Rule

IDV 400 - 24
 ① ② ③

Mark	Illustration
①	Series Name IDV: Rtelligent IDV series low-voltage integrated motor
②	Rated power 200: 200W400: 400W
③	Rated voltage 24: The rated voltage is 24V Default: The rated voltage is 48V

IDV Series Picture

IDV200 V1.0



IDV400 V1.0

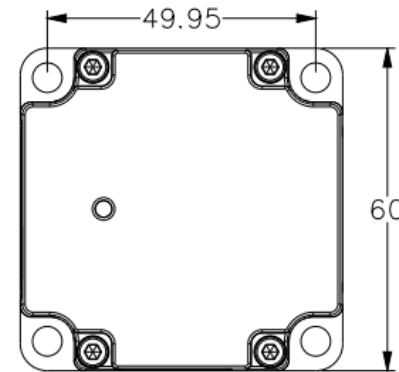
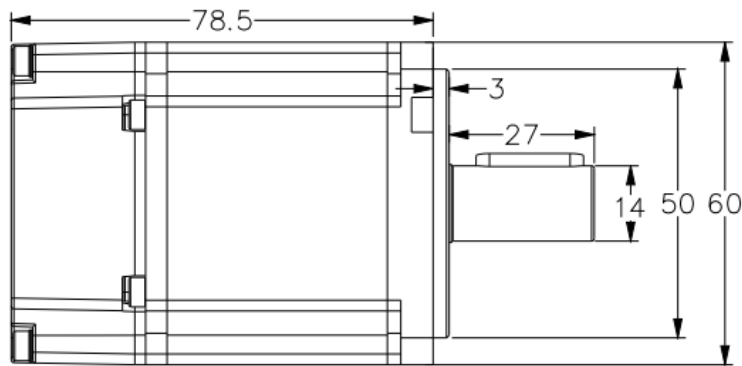


Positive display

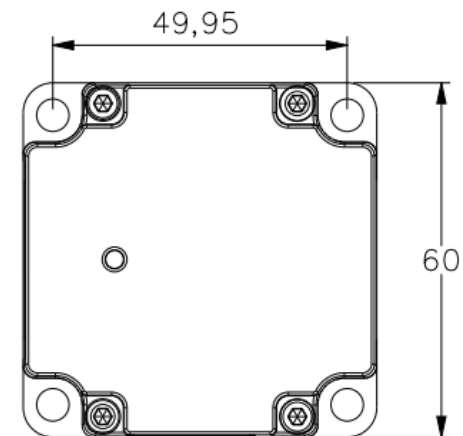
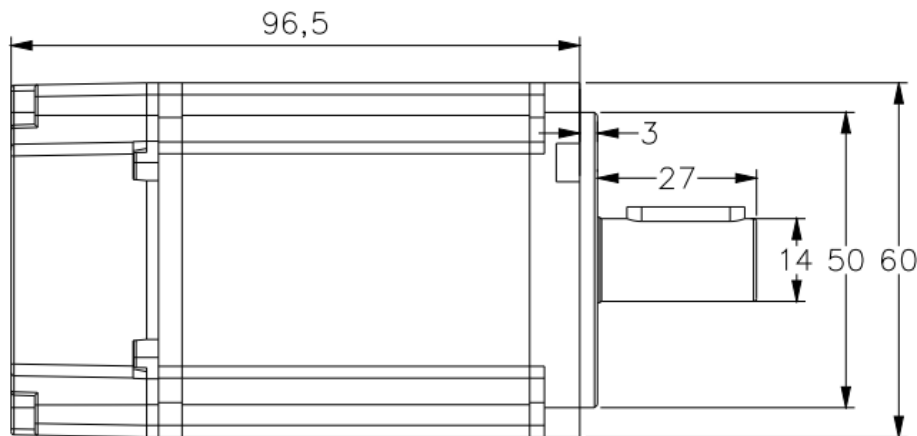


Installation Dimensions

IDV200



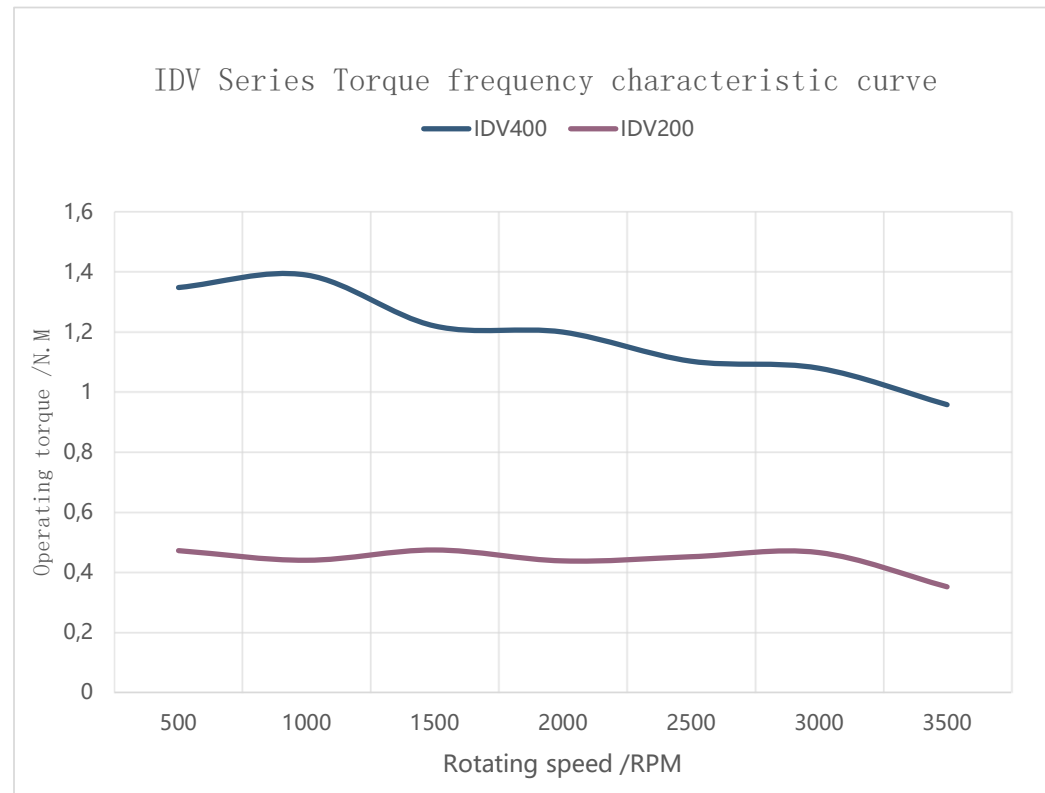
IDV400



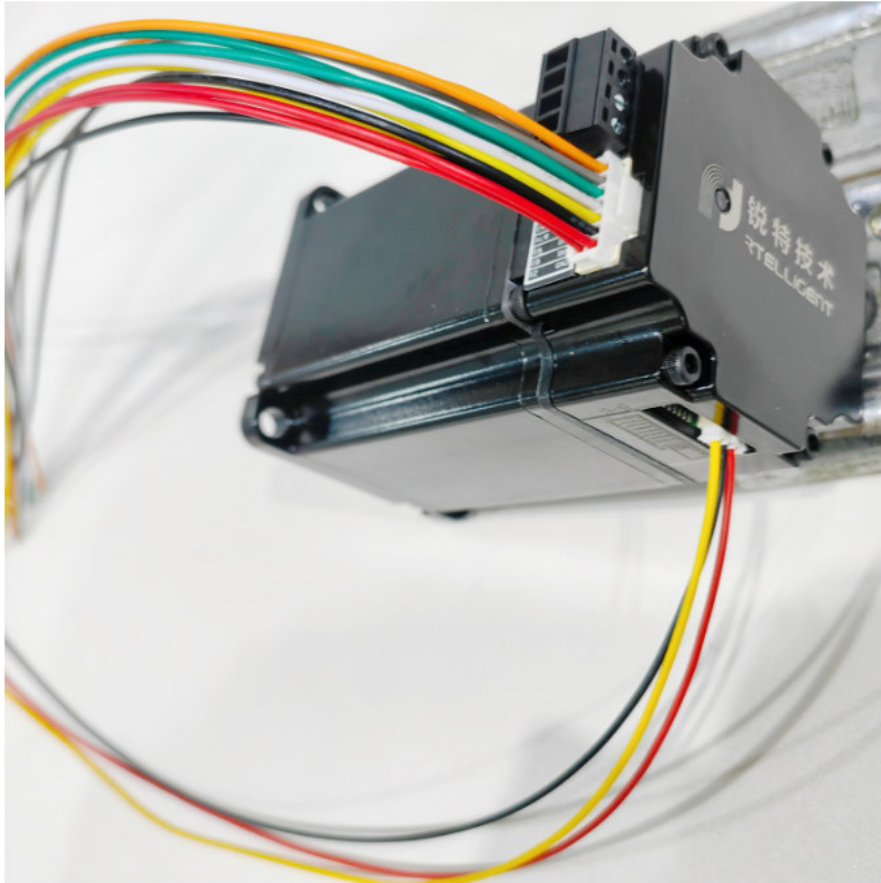
Characteristics

- ◆ Working voltage: Input voltage 18VDC~48VDC. The recommended working voltage is the rated voltage of the motor.
- ◆ 5V differential pulse/direction command input, compatible with NPN and PNP input signals.
- ◆ The maximum pulse frequency :500KHz.
- ◆ It has protection functions such as over-current, over-voltage, under-voltage, overload, and over-tolerance, and an optional output alarm prompt.
- ◆ Built-in 17-bit high-resolution magnetic encoder.
- ◆ Equipped with multiple **position/speed/torque command application** modes.
- ◆ 3 digital input interfaces and 1 digital output interface with configurable functions.

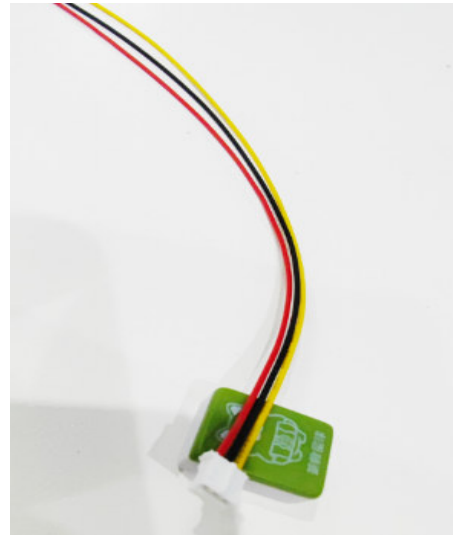
Torque Frequency Curve



Accessory



3pin leadwire



2*7pin leadwire
14 cables



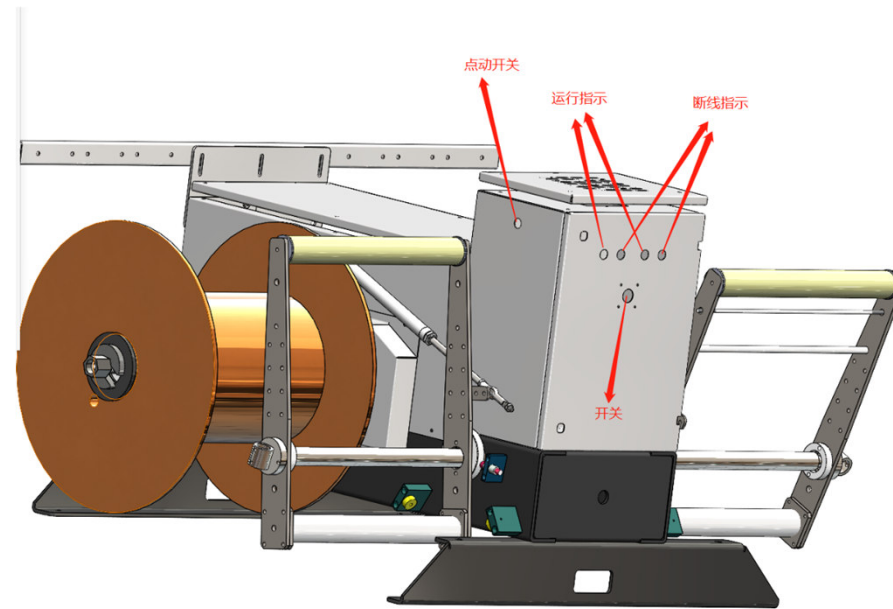
4pin Plug



Trial sales application 1



Carbon fiber production line



Wire winding: winding up

Trial sales application 2



Yacht engine

Trial sales application 3

Electric stroller



Thank you !